

FEATURES

- Electronic bidet seat
- Gentle Aerated, Warm Water, Dual Action Spray with oscillating feature
- Adjustable water temperature and volume settings
- SoftClose® seat
- Convenient arm control panel with illuminated buttons
- Docking station for easy cleaning and installation
- Heated seat with temperature control



COLORS/FINISHES

- #01 Cotton

PRODUCT SPECIFICATION

Seat shall have gentle aerated, warm water, dual action spray with cycling movement feature. Seat shall have adjustable water temperature and volume. Seat shall include convenient arm control panel. Seat shall be solid plastic with closed front seat and cover. Seat shall include power cord, and water supply hoses.

CODES/STANDARDS

- Meets and exceeds ASME A112.4.2, ASME A112.18.1/CSA B125.1, UL 1431, CSA C22.2 #68
- Certifications: IAPMO(cUPC), State of Massachusetts, City of Los Angeles and others
- Code Compliance: UPC, IPC, NSPC, NPC Canada, and others
- Complies with CA Prop 65 warning requirements
- Backflow protection is integral to the device and meets backflow testing per ASSE 1001 and CSA B64.1.1



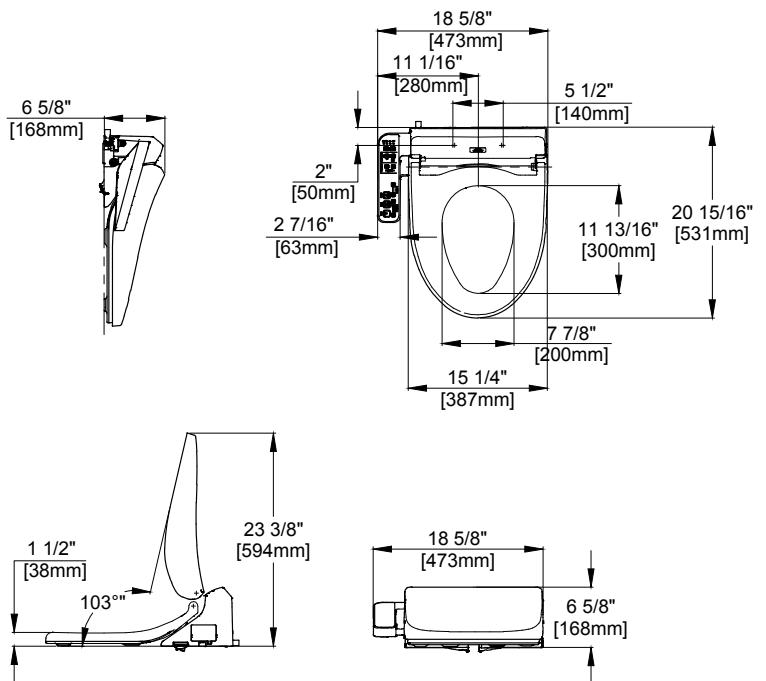
SPECIFICATIONS

Power Rating	AC 120 V 60 Hz
Power Consumption	287W
Max Power Consumption	363W
Power Cord Length	3.93 ft (1.2 m)
Spray Volume	Rear Cleansing: 0.07 – 0.11 gal/min Front Cleansing: 0.08 – 0.11 gal/min
Spray Features	Adjustable Surface Temp: 95 – 104 °F (35 – 40 °C) Safety Device: Temperature Fuse
Heated Seat Features	Adjustable Surface Temp: 82 – 97 °F (28 – 36 °C) Safety Device: Temperature Fuse
Water Supply Pressure	Minimum: 7.25 PSI (Dynamic) Maximum: 108.75 PSI (Static)
Ambient Temp.	32 – 104 °F (0 – 40 °C)
Warranty	One Year Limited Warranty
Shipping Weight	15.0 lbs
Shipping Dimensions	23-5/8" L x 20-5/8" W x 8-1/2" H

INSTALLATION NOTES

- WASHLET A2 may not fit certain toilet bowl designs
- If possible, with your order, please include your model number (from the underside of the tank lid).
- It is highly recommended to use a surge protector to prevent damage in the event of a power surge.
- Please check with local codes for electrical receptacle installation requirements.
- For use with potable water only. Do not use with recycled water.

DIMENSIONS



GFCI outlet of 120v, 10amps.
Washlet power cord is 4' long with 3 prongs.