

Drake® WASHLET®+ C2 Two-Piece Toilet - 1.28 GPF

FEATURES

- Concealed supply connection for seamless installation
- TORNADO FLUSH® system, high-efficiency (1.28 GPF/4.8 LPF)
- CEFIONTECT® ceramic glaze minimizes waste from sticking to porous ceramic surfaces
- 12" Rough-in, supply line sold separately
- Universal Height
- Chrome plated trip lever
- Elongated front bowl and WASHLET+ C2 and tank set
- EWATER+® auto-cleans wand
- On-demand remote function cleans wand with EWATER+
- PREMIST® of bowl before each use
- Convenient arm control panel

MODELS

- With CEFIONTECT ceramic glaze, WASHLET+ C2
- Elongated bowl with CEFIONTECT Tank and cover only
- WASHLET+ C2

OPTIONAL COMPONENTS

- **THU808(#01, #03, #11, #12, #51, #PN, #BN, #RB)-A**
Trip Lever - Cotton, Bone, Colonial White, Sedona Beige, Ebony, Polished Nickel, Brushed Nickel, Oil Rubbed Bronze)

COLORS/FINISHES

- #01 Cotton



TORNADO FLUSH



EWATER+



CEFIONTECT



UNIVERSAL HEIGHT

PRODUCT SPECIFICATION

The two-piece high-efficiency TORNADO FLUSH toilet shall be 1.28 GPF/4.8 LPF. Universal Height Toilet with CEFIONTECT glaze finish. Toilet shall have high-profile tank, elongated front bowl and chrome trip lever.

CODES/STANDARDS

- Meets and exceeds ASME A112.19.2/CSA B45.1
- Certifications: IAPMO(cUPC®), EPA WaterSense, State of Massachusetts, City of Los Angeles, and others
- Code Compliance: UPC, IPC, NSPC, NPC Canada, and others
- Legislative Compliance: California Green Building Code, City of Los Angeles Water Efficiency Ordinance, and others
- ADA compliant (when installed with trip lever located on the approach side)
- Complies with CA Prop 65 warning requirements



MW7763074CEFG

Drake® WASHLET®+ C2 Two-Piece Toilet - 1.28 GPF

SPECIFICATIONS

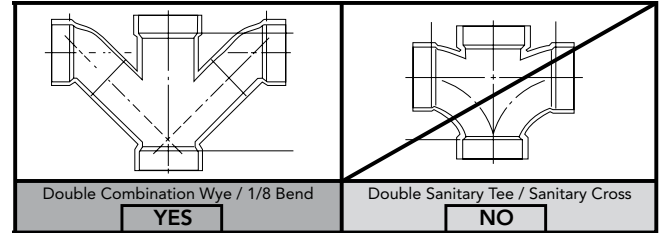
| | |
|----------------------------|---|
| Water Use | 1.28 GPF (4.8 LPF) |
| Flush System | TORNADO FLUSH® |
| Min. Water Pressure | 8 psi (Flowing) |
| Water Surface | 9" x 6-7/8" |
| Trap Diameter | 2-1/8" |
| Rough-in | 12" |
| Trap Seal | 2-1/8" |
| Warranty | One Year Limited Warranty |
| Material | Vitreous China |
| Shipping Weight | C776CEFGT40 62 lbs. ST776EA 32 lbs. |
| Shipping Dimensions | C776CEFGT40 30-1/8" L x 15-1/4" W1 x 10-7/8" W2 x 17-3/4" H ST776EA 18-3/4" L x 8-7/8" W x 16-1/4" H |

See SW3074T40 Specification Sheet for details on included WASHLET.

INSTALLATION NOTES

Back-to-Back Toilet Installations:

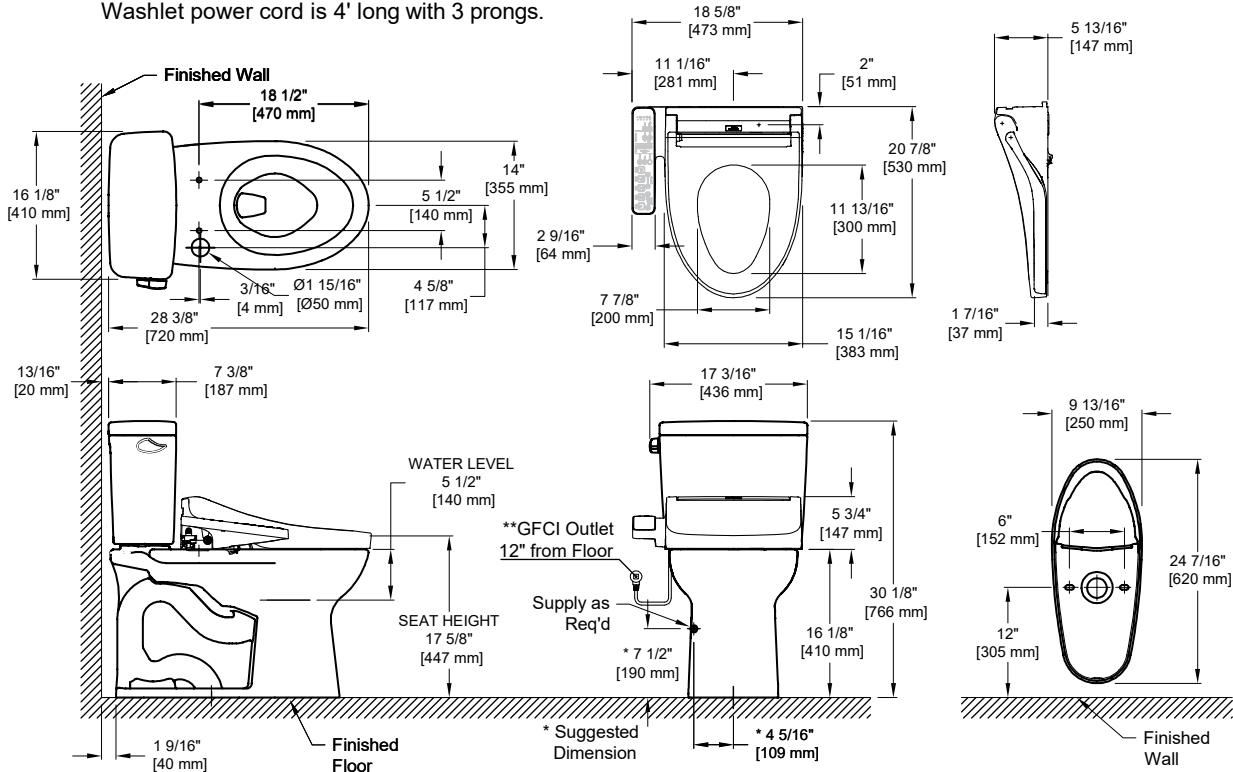
TOTO recommends the use of a nationally listed, double sanitary tee-wye only, in vertical waste stacks, in accordance with the stipulations noted in the majority of nationally recognized plumbing codes.



To maintain adequate wall gap between the back of the tank and wall, mount the floor flange at a nominal 12" rough-in distance.

DIMENSIONS

**GFCI outlet of 120V, 10amps.
Washlet power cord is 4' long with 3 prongs.



TOTO®

These dimensions and specifications are subject to change without notice